



CXF2E30-300



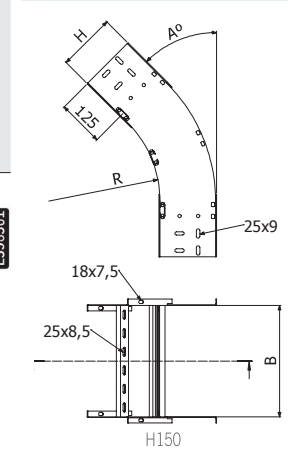
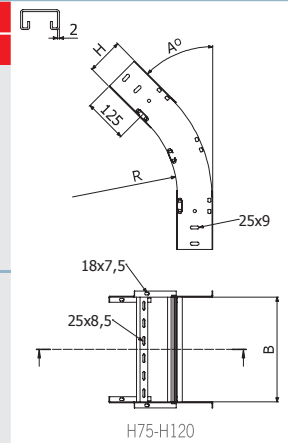
H75-H120



H150

	A		R		B		H		GC	
	°	mm	inch	mm	inch	mm	inch	REF.	kg/ud	
CXF2E30-300 100X100X2	30	300	12"	100	4"	100	4"	2/16128	2,18	
CXF2E30-300 150X100X2	30	300	12"	150	6"	100	4"	2/16129	2,33	
CXF2E30-300 200X100X2	30	300	12"	200	8"	100	4"	2/16130	2,48	
CXF2E30-300 300X100X2	30	300	12"	300	12"	100	4"	2/16131	2,78	
CXF2E30-300 400X100X2	30	300	12"	400	16"	100	4"	2/16132	3,09	
CXF2E30-300 500X100X2	30	300	12"	500	20"	100	4"	2/16133	3,39	
CXF2E30-300 600X100X2	30	300	12"	600	24"	100	4"	2/16134	3,70	
CXF2E30-300 150X120X2	30	300	12"	150	6"	120	4 5/7"	2/16135	2,66	
CXF2E30-300 200X120X2	30	300	12"	200	8"	120	4 5/7"	2/16136	2,81	
CXF2E30-300 300X120X2	30	300	12"	300	12"	120	4 5/7"	2/16137	3,11	
CXF2E30-300 400X120X2	30	300	12"	400	16"	120	4 5/7"	2/16138	3,42	
CXF2E30-300 500X120X2	30	300	12"	500	20"	120	4 5/7"	2/16139	3,72	
CXF2E30-300 600X120X2	30	300	12"	600	24"	120	4 5/7"	2/16140	4,03	
CXF2E30-300 150X150X2	30	300	12"	150	6"	150	6"	2/16141	3,16	
CXF2E30-300 200X150X2	30	300	12"	200	8"	150	6"	2/16142	3,32	
CXF2E30-300 300X150X2	30	300	12"	300	12"	150	6"	2/16143	3,62	
CXF2E30-300 400X150X2	30	300	12"	400	16"	150	6"	2/16144	3,92	
CXF2E30-300 500X150X2	30	300	12"	500	20"	150	6"	2/16145	4,23	
CXF2E30-300 600X150X2	30	300	12"	600	24"	150	6"	2/16146	4,53	

2 x JUFÉ



CXF2E45-300



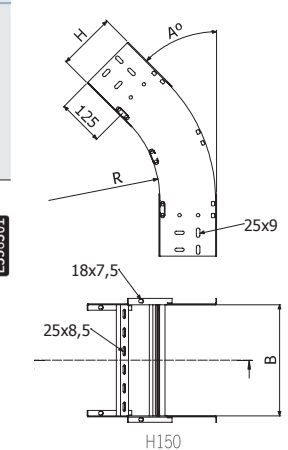
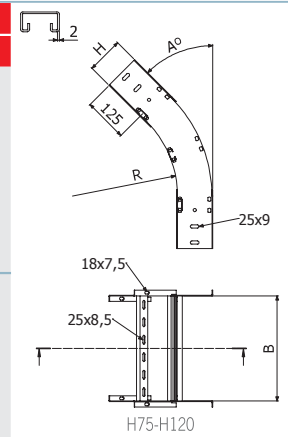
H75-H120



H150

	A		R		B		H		GC	
	°	mm	inch	mm	inch	mm	inch	REF.	kg/ud	
CXF2E45-300 100X100X2	45	300	12"	100	4"	100	4"	2/16154	2,47	
CXF2E45-300 150X100X2	45	300	12"	150	6"	100	4"	2/16155	2,62	
CXF2E45-300 200X100X2	45	300	12"	200	8"	100	4"	2/16156	2,77	
CXF2E45-300 300X100X2	45	300	12"	300	12"	100	4"	2/16157	3,08	
CXF2E45-300 400X100X2	45	300	12"	400	16"	100	4"	2/16158	3,38	
CXF2E45-300 500X100X2	45	300	12"	500	20"	100	4"	2/16159	3,69	
CXF2E45-300 600X100X2	45	300	12"	600	24"	100	4"	2/16160	3,99	
CXF2E45-300 150X120X2	45	300	12"	150	6"	120	4 5/7"	2/16161	3,02	
CXF2E45-300 200X120X2	45	300	12"	200	8"	120	4 5/7"	2/16162	3,17	
CXF2E45-300 300X120X2	45	300	12"	300	12"	120	4 5/7"	2/16163	3,48	
CXF2E45-300 400X120X2	45	300	12"	400	16"	120	4 5/7"	2/16164	3,78	
CXF2E45-300 500X120X2	45	300	12"	500	20"	120	4 5/7"	2/16165	4,08	
CXF2E45-300 600X120X2	45	300	12"	600	24"	120	4 5/7"	2/16166	4,39	
CXF2E45-300 150X150X2	45	300	12"	150	6"	150	6"	2/16167	3,64	
CXF2E45-300 200X150X2	45	300	12"	200	8"	150	6"	2/16168	3,79	
CXF2E45-300 300X150X2	45	300	12"	300	12"	150	6"	2/16169	4,09	
CXF2E45-300 400X150X2	45	300	12"	400	16"	150	6"	2/16170	4,40	
CXF2E45-300 500X150X2	45	300	12"	500	20"	150	6"	2/16171	4,70	
CXF2E45-300 600X150X2	45	300	12"	600	24"	150	6"	2/16172	5,00	

2 x JUFÉ





CXF2E60-300



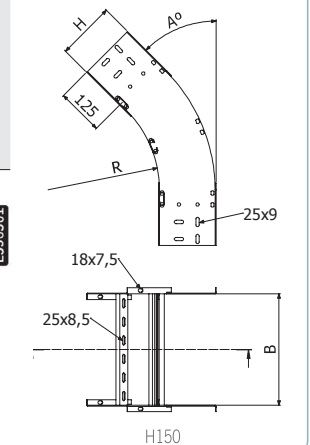
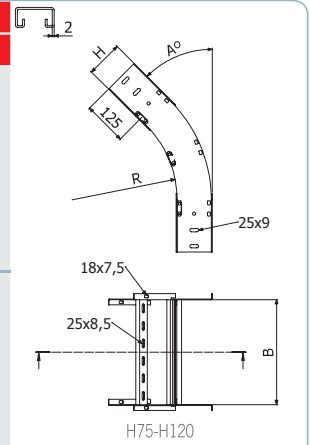
H75-H120



H150

	A		R		B		H		GC	
	°	mm	inch	mm	inch	mm	inch	REF.	kg/ud	
CXF2E60-300 100X100X2	60	300	12"	100	4"	100	4"	2/16180	2,92	
CXF2E60-300 150X100X2	60	300	12"	150	6"	100	4"	2/16181	3,14	
CXF2E60-300 200X100X2	60	300	12"	200	8"	100	4"	2/16182	3,37	
CXF2E60-300 300X100X2	60	300	12"	300	12"	100	4"	2/16183	3,83	
CXF2E60-300 400X100X2	60	300	12"	400	16"	100	4"	2/16184	4,28	
CXF2E60-300 500X100X2	60	300	12"	500	20"	100	4"	2/16185	4,74	
CXF2E60-300 600X100X2	60	300	12"	600	24"	100	4"	2/16186	5,20	
CXF2E60-300 150X120X2	60	300	12"	150	6"	120	4 5/7"	2/16187	3,61	
CXF2E60-300 200X120X2	60	300	12"	200	8"	120	4 5/7"	2/16188	3,84	
CXF2E60-300 300X120X2	60	300	12"	300	12"	120	4 5/7"	2/16189	4,29	
CXF2E60-300 400X120X2	60	300	12"	400	16"	120	4 5/7"	2/16190	4,75	
CXF2E60-300 500X120X2	60	300	12"	500	20"	120	4 5/7"	2/16191	5,21	
CXF2E60-300 600X120X2	60	300	12"	600	24"	120	4 5/7"	2/16192	5,66	
CXF2E60-300 150X150X2	60	300	12"	150	6"	150	6"	2/16193	4,34	
CXF2E60-300 200X150X2	60	300	12"	200	8"	150	6"	2/16194	4,56	
CXF2E60-300 300X150X2	60	300	12"	300	12"	150	6"	2/16195	5,02	
CXF2E60-300 400X150X2	60	300	12"	400	16"	150	6"	2/16196	5,48	
CXF2E60-300 500X150X2	60	300	12"	500	20"	150	6"	2/16197	5,93	
CXF2E60-300 600X150X2	60	300	12"	600	24"	150	6"	2/16198	6,39	

2 x JUFE



CXF2E-300



H75-H120



H150

	A		R		B		H		GC	
	°	mm	inch	mm	inch	mm	inch	REF.	kg/ud	
CXF2E-300 100X100X2	90	300	12"	100	4"	100	4"	2/16206	3,50	
CXF2E-300 150X100X2	90	300	12"	150	6"	100	4"	2/16207	3,73	
CXF2E-300 200X100X2	90	300	12"	200	8"	100	4"	2/16208	3,96	
CXF2E-300 300X100X2	90	300	12"	300	12"	100	4"	2/16209	4,41	
CXF2E-300 400X100X2	90	300	12"	400	16"	100	4"	2/16210	4,87	
CXF2E-300 500X100X2	90	300	12"	500	20"	100	4"	2/16211	5,33	
CXF2E-300 600X100X2	90	300	12"	600	24"	100	4"	2/16212	5,78	
CXF2E-300 150X120X2	90	300	12"	150	6"	120	4 5/7"	2/16213	4,33	
CXF2E-300 200X120X2	90	300	12"	200	8"	120	4 5/7"	2/16214	4,56	
CXF2E-300 300X120X2	90	300	12"	300	12"	120	4 5/7"	2/16215	5,02	
CXF2E-300 400X120X2	90	300	12"	400	16"	120	4 5/7"	2/16216	5,47	
CXF2E-300 500X120X2	90	300	12"	500	20"	120	4 5/7"	2/16217	5,93	
CXF2E-300 600X120X2	90	300	12"	600	24"	120	4 5/7"	2/16218	6,39	
CXF2E-300 150X150X2	90	300	12"	150	6"	150	6"	2/16219	5,28	
CXF2E-300 200X150X2	90	300	12"	200	8"	150	6"	2/16220	5,51	
CXF2E-300 300X150X2	90	300	12"	300	12"	150	6"	2/16221	5,96	
CXF2E-300 400X150X2	90	300	12"	400	16"	150	6"	2/16222	6,42	
CXF2E-300 500X150X2	90	300	12"	500	20"	150	6"	2/16223	6,87	
CXF2E-300 600X150X2	90	300	12"	600	24"	150	6"	2/16224	7,33	

2 x JUFE

